


KARTAL TRİGER DİŞLİLER
EAGLE TYPE TIMING BELT PULLEYS
ÖZELLİKLER:

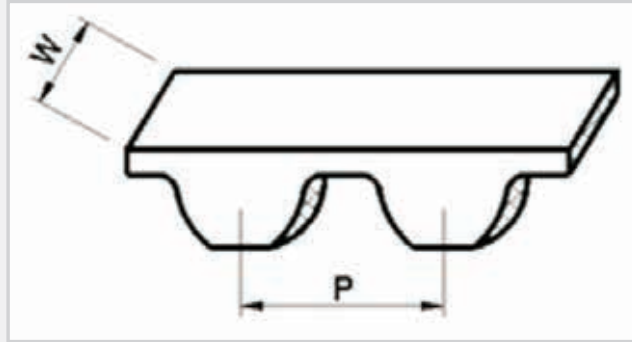
Helises dişleri sayesinde;

- Çok sessizdirler.
- Yüksek hassasiyette hareketi iletirler.
- Daha düşük kayış genişliği ile daha yüksek tork iletirler.
- Flanşa ihtiyaç duymazlar.

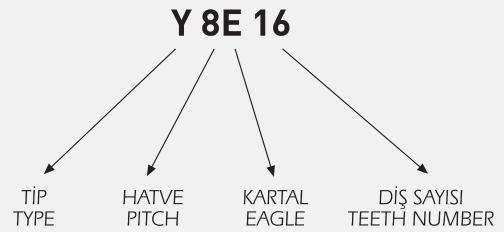
SPECIFICATIONS:

Due to its helical gear structure:

- They are very silent.
- They provide very high transmission accuracy
- They can transmit higher torque with smaller width belts.
- They do not need flanges.



TİP TYPE	W mm	F mm	P mm
Y - YELLOW	16	17	8
W - WHITE	32	33	8
P - PURPLE	64	65	8
B - BLUE	35	37	14
G - GREEN	52,5	54,5	14
O - ORANGE	70	72	14
R - RED	105	107	14

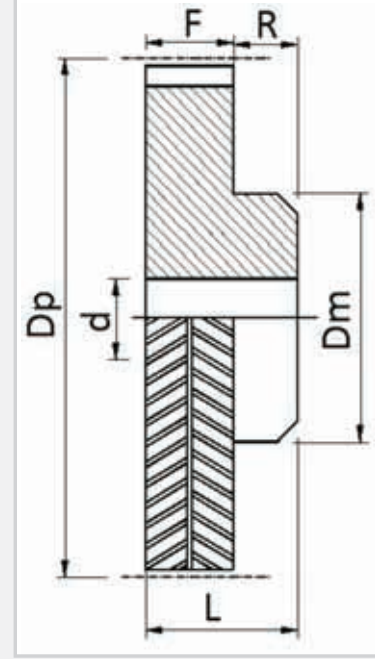


KARTAL TRİGER DİŞLİLER EAGLE TYPE TIMING BELT PULLEYS

8E (8 mm) ADIMLI KARTAL TRİGER DİŞLİLER / 8E (8 mm) PITCH EAGLE TYPE TIMING BELT PULLEYS

TİP-TYPE :Y KAYIŞ ENİ - BELT WIDTH - W: 16 mm

KOD CODE	d mm	Z	Dp mm	F mm	L mm	R mm	Dm mm
Y-8E-16	15	16	40,75	17	27	10	35
Y-8E-18	15	18	45,84	17	27	10	38
Y-8E-20	15	20	50,93	17	27	10	40
Y-8E-22	15	22	56,02	17	27	10	45
Y-8E-24	15	24	61,11	17	27	10	50
Y-8E-25	20	25	63,66	17	27	10	53
Y-8E-26	20	26	66,21	17	27	10	55
Y-8E-28	20	28	71,3	17	27	10	60
Y-8E-30	20	30	76,39	17	27	10	63
Y-8E-32	20	32	81,48	17	27	10	67
Y-8E-34	20	34	86,57	17	27	10	72
Y-8E-36	20	36	91,66	17	27	10	82
Y-8E-38	20	38	96,75	17	27	10	87
Y-8E-40	20	40	101,84	17	27	10	92
Y-8E-44	25	44	112,05	17	27	10	102
Y-8E-48	25	48	122,23	17	27	10	112
Y-8E-56	25	56	142,61	17	27	10	133
Y-8E-60	25	60	152,79	17	27	10	143



MALZEME : ÇELİK
MATERIAL : STEEL

TİP-TYPE :W KAYIŞ ENİ - BELT WIDTH - W: 32 mm

KOD CODE	d mm	Z	Dp mm	F mm	L mm	R mm	Dm mm
W-8E-16	15	16	40,75	33	43	10	35
W-8E-18	15	18	45,84	33	43	10	38
W-8E-20	15	20	50,93	33	43	10	40
W-8E-22	15	22	56,02	33	43	10	45
W-8E-24	15	24	61,11	33	43	10	50
W-8E-25	20	25	63,66	33	43	10	53
W-8E-26	20	26	66,21	33	43	10	55
W-8E-28	20	28	71,3	33	43	10	60
W-8E-30	20	30	76,39	33	43	10	63
W-8E-32	20	32	81,48	33	43	10	67
W-8E-34	20	34	86,57	33	43	10	72
W-8E-36	20	36	91,66	33	43	10	82
W-8E-38	20	38	96,75	33	43	10	87
W-8E-40	20	40	101,84	33	43	10	92
W-8E-44	25	44	112,05	33	43	10	102
W-8E-48	25	48	122,23	33	43	10	112
W-8E-56	25	56	142,61	33	43	10	133
W-8E-60	25	60	152,79	33	43	10	143

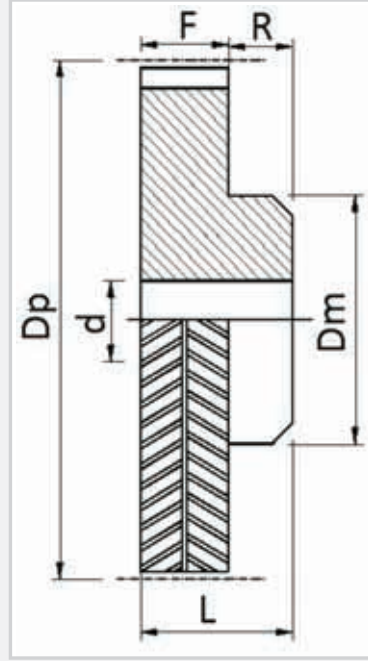
TİP-TYPE :P KAYIŞ ENİ - BELT WIDTH - W: 64 mm

KOD CODE	d mm	Z	Dp mm	F mm	L mm	R mm	Dm mm
P-8E-16	15	16	40,75	65	85	20	35
P-8E-18	15	18	45,84	65	85	20	38
P-8E-20	15	20	50,93	65	85	20	40
P-8E-22	15	22	56,02	65	85	20	45
P-8E-24	15	24	61,11	65	85	20	50
P-8E-25	20	25	63,66	65	85	20	53
P-8E-26	20	26	66,21	65	85	20	55
P-8E-28	20	28	71,3	65	85	20	60
P-8E-30	20	30	76,39	65	85	20	63
P-8E-32	20	32	81,48	65	85	20	67
P-8E-34	20	34	86,57	65	85	20	72
P-8E-36	20	36	91,66	65	85	20	82
P-8E-38	20	38	96,75	65	85	20	87
P-8E-40	20	40	101,84	65	85	20	92
P-8E-44	25	44	112,05	65	85	20	102
P-8E-48	25	48	122,23	65	85	20	112
P-8E-56	25	56	142,61	65	85	20	133
P-8E-60	25	60	152,79	65	85	20	143


KARTAL TRİGER DİŞLİLER
EAGLE TYPE TIMING BELT PULLEYS
14E (14 mm) ADIMLI KARTAL TRİGER DİŞLİLER / 14E (14 mm) PITCH EAGLE TYPE TIMING BELT PULLEYS

TİP-TYPE :B KAYIŞ ENİ - BELT WIDTH - W: 35 mm

KOD CODE	d mm	Z	Dp mm	F mm	L mm	R mm	Dm mm
B-14E-28	25,4	28	124,78	37	55	18	105
B-14E-30	25,4	30	133,69	37	55	18	114
B-14E-32	25,4	32	142,61	37	55	18	123
B-14E-34	25,4	34	151,52	37	55	18	132
B-14E-36	25,4	36	160,43	37	55	18	141
B-14E-38	25,4	38	169,35	37	55	18	150
B-14E-40	25,4	40	178,26	37	55	18	159
B-14E-43	25,4	43	191,63	37	55	18	172
B-14E-45	25,4	45	200,54	37	55	18	181
B-14E-48	25,4	48	213,91	37	55	18	195
B-14E-50	25,4	50	222,82	37	55	18	200
B-14E-56	25,4	56	249,56	37	55	18	210
B-14E-60	25,4	60	267,39	37	55	18	220


MALZEME : ÇELİK
MATERIAL : STEEL

TİP-TYPE :G KAYIŞ ENİ - BELT WIDTH - W: 52,5 mm

KOD CODE	d mm	Z	Dp mm	F mm	L mm	R mm	Dm mm
G-14E-28	25,4	28	124,78	54,5	74,5	20	109
G-14E-30	25,4	30	133,69	54,5	74,5	20	117,5
G-14E-32	25,4	32	142,61	54,5	74,5	20	126,5
G-14E-34	25,4	34	151,52	54,5	74,5	20	135,5
G-14E-36	25,4	36	160,43	54,5	70,5	16	141
G-14E-38	25,4	38	169,35	54,5	70,5	16	150
G-14E-40	25,4	40	178,26	54,5	70,5	16	159
G-14E-43	25,4	43	191,63	54,5	70,5	16	172
G-14E-45	25,4	45	200,54	54,5	70,5	16	181
G-14E-48	25,4	48	213,91	54,5	70,5	16	195
G-14E-50	25,4	50	222,82	54,5	70,5	16	200
G-14E-56	25,4	56	249,56	54,5	70,5	16	210
G-14E-60	25,4	60	267,39	54,5	70,5	16	220


TİP-TYPE :O KAYIŞ ENİ - BELT WIDTH - W: 70 mm

KOD CODE	d mm	Z	Dp mm	F mm	L mm	R mm	Dm mm
O-14E-28	25,4	28	124,78	72	92	20	109
O-14E-30	25,4	30	133,69	72	92	20	117,5
O-14E-32	25,4	32	142,61	72	98	26	126,5
O-14E-34	25,4	34	151,52	72	98	26	135,5
O-14E-36	25,4	36	160,43	72	98	26	140
O-14E-38	25,4	38	169,35	72	98	26	150
O-14E-40	25,4	40	178,26	72	98	26	160
O-14E-43	25,4	43	191,63	72	88	16	170
O-14E-45	25,4	45	200,54	72	88	16	180
O-14E-48	25,4	48	213,91	72	88	16	190
O-14E-50	25,4	50	222,82	72	88	16	200
O-14E-56	25,4	56	249,56	72	88	16	210
O-14E-60	25,4	60	267,39	72	88	16	220


TİP-TYPE :R KAYIŞ ENİ - BELT WIDTH - W: 105 mm

KOD CODE	d mm	Z	Dp mm	F mm	L mm	R mm	Dm mm
R-14E-28	25,4	28	124,78	107	133	26	109
R-14E-30	25,4	30	133,69	107	133	26	117,5
R-14E-32	25,4	32	142,61	107	133	26	126,5
R-14E-34	25,4	34	151,52	107	133	26	135,5
R-14E-36	25,4	36	160,43	107	133	26	140
R-14E-38	25,4	38	169,35	107	133	26	150
R-14E-40	25,4	40	178,26	107	133	26	160
R-14E-43	25,4	43	191,63	107	133	26	170
R-14E-45	25,4	45	200,54	107	123	16	180
R-14E-48	25,4	48	213,91	107	123	16	190
R-14E-50	25,4	50	222,82	107	123	16	200
R-14E-56	25,4	56	249,56	107	123	16	210
R-14E-60	25,4	60	267,39	107	123	16	220