



## BURÇLU POLY-V KAYIŞ KASNAKLARI / POLY-V PULLEYS FOR TAPER BUSHES



PH (1,60 mm) HATVELİ POLY-V KASNAKLAR  
PH (1,60 mm) PITCH POLY-V PULLEYS



PJ (2,34 mm) HATVELİ POLY-V KASNAKLAR  
PJ (2,34 mm) PITCH POLY-V PULLEYS



PK (3,56 mm) HATVELİ POLY-V KASNAKLAR  
PK (3,56 mm) PITCH POLY-V PULLEYS



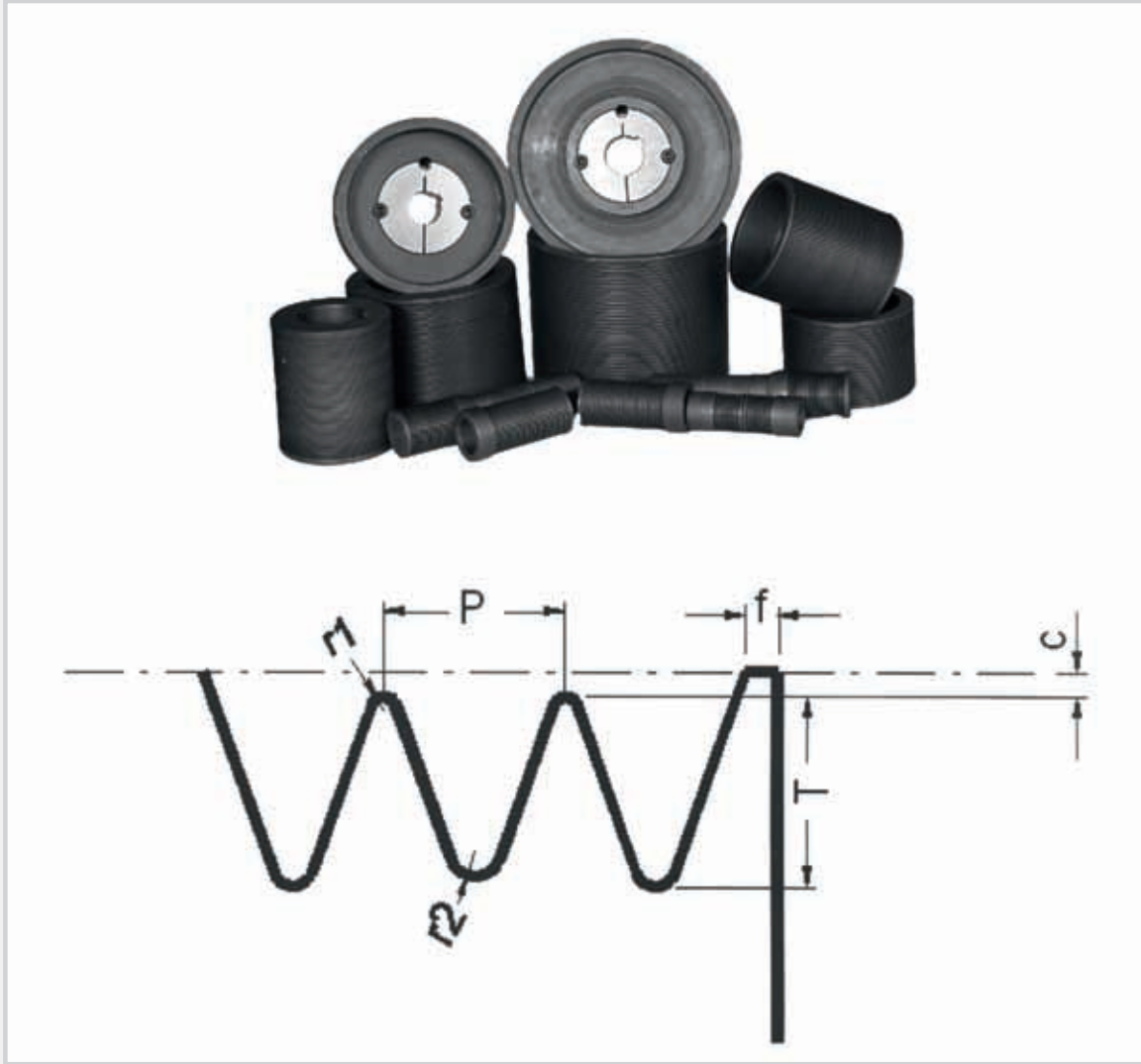
PL (4,70 mm) HATVELİ POLY-V KASNAKLAR  
PL (4,70 mm) PITCH POLY-V PULLEYS



PM (9,40 mm) HATVELİ POLY-V KASNAKLAR  
PM (9,40 mm) PITCH POLY-V PULLEYS

**BURÇLU POLY-V KAYIŞ KASNAKLARI**  
POLY-V PULLEYS FOR TAPER BUSHES

POLY-V KASNAK KANAL PROFİL ÖLÇÜLERİ / PROFILE DIMENSIONS OF THE POLY-V GROOVES

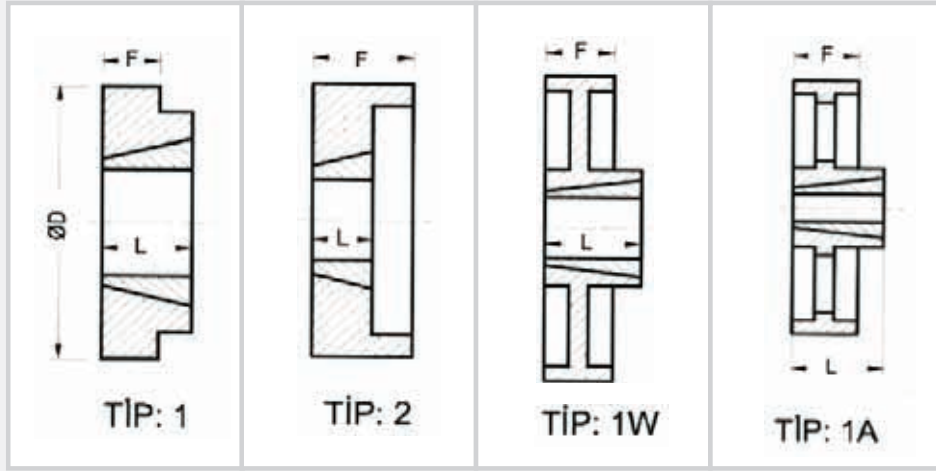


	PH	PJ	PK	PL	PM
P	1,60	2,34	3,56	4,70	9,40
r1 min	0,15	0,24	0,25	0,40	0,75
r2 max	0,30	0,40	0,50	0,40	0,75
f	1,30	1,80	2,50	3,30	6,40
T	1,50	2,21	3,75	5,11	10,21
MinO	18	20	40	75	180
c	0,80	1,20	1,50	3,00	4,00
kanal n	6,8,12,16	6,8,12,16,20	8,12,16,20	6,8,12,16,20	6,10,16,20

Birim / Unit : mm

**BURÇLU POLY-V KAYIŞ KASNAKLARI**  
POLY-V PULLEYS FOR TAPER BUSHES

**PJ PROFİLLİ BURÇLU POLY-V KASNAKLAR / PJ POLY-V PULLEYS FOR TAPER BUSHES**

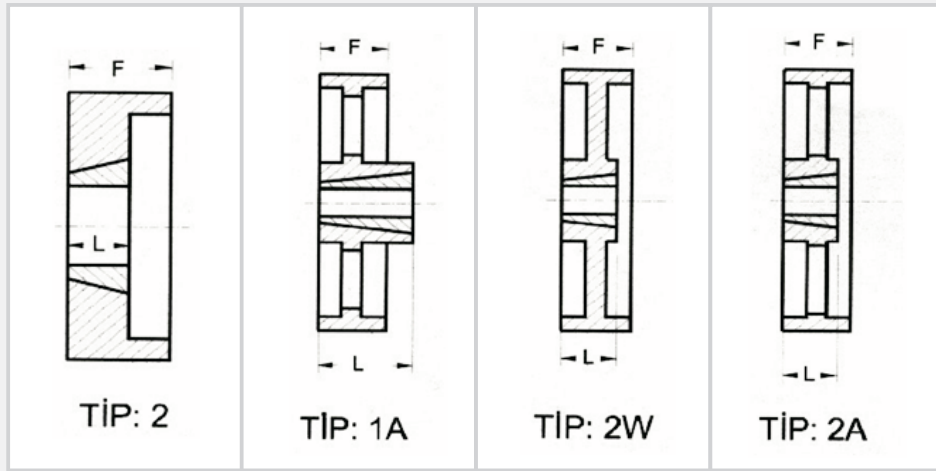


**PJ 4 KANAL / PJ 4 GROOVE**

Çap Diameter	Tip Type	Burç No Taper Bush	F mm	L mm
55	1	1008	14	22
60	1	1008	14	22
70	1	1108	14	22
80	1	1108	14	22
90	1	1108	14	22
100	1	1210	14	25
110	1	1210	14	25
125	1	1610	14	25
140	1	1610	14	25
150	1	1610	14	25
160	1	1610	14	25
170	1W	1610	14	25
180	1W	1610	14	25
190	1W	1610	14	25
200	1W	1610	14	25
210	1W	1610	14	25
220	1W	1610	14	25
250	1W	2012	14	31
300	1A	2012	14	31
400	1A	2517	14	45
500	1A	2517	14	45

**PJ 8 KANAL / PJ 8 GROOVE**

Çap Diameter	Tip Type	Burç No Taper Bush	F mm	L mm
55	2	1008	24	22
60	2	1008	24	22
70	2	1108	24	22
80	2	1108	24	22
90	1	1210	24	25
100	1	1210	24	25
110	1	1610	24	25
125	1	1610	24	25
140	1	1610	24	25
150	1	1610	24	25
160	1	1610	24	25
170	1W	1610	24	25
180	1W	1610	24	25
190	1W	1610	24	25
200	1W	2012	24	31
210	1W	2012	24	31
220	1W	2012	24	31
250	1W	2012	24	31
300	1A	2012	24	31
400	1A	2517	24	45
500	1A	2517	24	45


**BURÇLU POLY-V KAYIŞ KASNAKLARI**  
**POLY-V PULLEYS FOR TAPER BUSHES**
**PJ PROFİLLİ BURÇLU POLY-V KASNAKLAR / PJ POLY-V PULLEYS FOR TAPER BUSHES**


**PJ 12 KANAL / PJ 12 GROOVE**

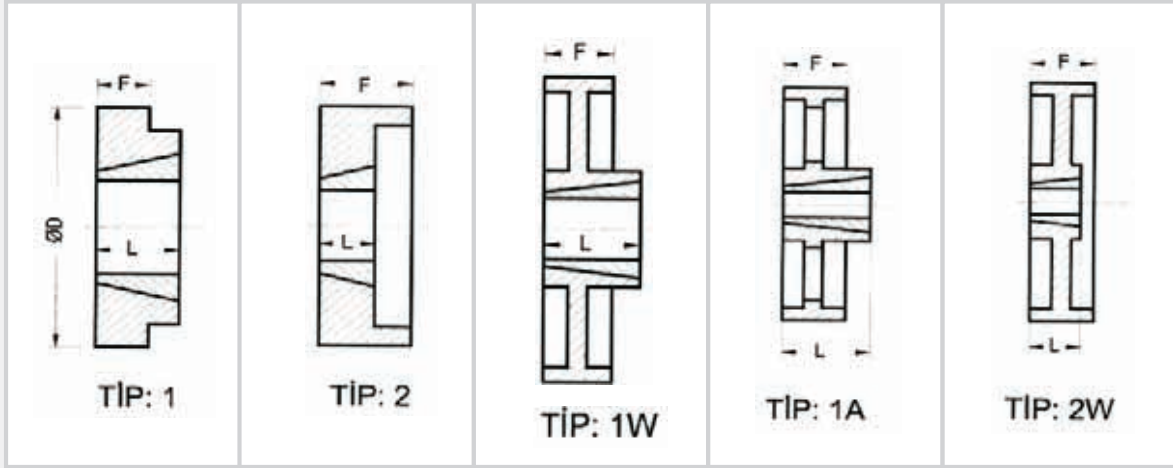
Çap Diameter	Tip Type	Burç No Taper Bush	F mm	L mm
70	2	1108	33	22
80	2	1210	33	22
90	2	1610	33	22
100	2	1610	33	25
110	2	1610	33	25
125	2	1610	33	25
140	2	1610	33	25
150	2	1610	33	25
160	2	1610	33	25
170	2	1610	33	25
180	2W	1610	33	25
190	2W	1610	33	25
200	2W	2012	33	31
210	2W	2012	33	31
220	2W	2012	33	31
250	2W	2012	33	31
300	2A	2012	33	31
400	1A	2517	33	45
500	1A	2517	33	45


**PJ 16 KANAL / PJ 16 GROOVE**

Çap Diameter	Tip Type	Burç No Taper Bush	F mm	L mm
80	2	1210	43	22
90	2	1610	43	25
100	2	1610	43	25
110	2	1610	43	25
125	2	2012	43	31
140	2	2012	43	31
150	2	2012	43	31
160	2	2012	43	31
170	2	2012	43	31
180	2W	2012	43	31
190	2W	2012	43	31
200	2W	2012	43	31
210	2W	2012	43	31
220	2W	2012	43	31
250	2W	2012	43	31
300	2W	2012	43	31
400	2A	2517	43	45
500	1A	2517	43	45

**BURÇLU POLY-V KAYIŞ KASNAKLARI**  
POLY-V PULLEYS FOR TAPER BUSHES

PK PROFİLLİ BURÇLU POLY-V KASNAKLAR / PK POLY-V PULLEYS FOR TAPER BUSHES

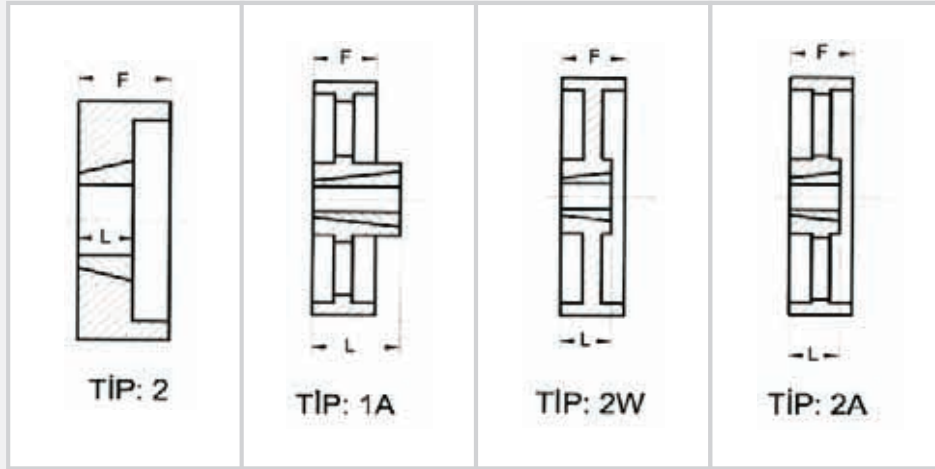


**PK 4 KANAL / PK 4 GROOVE**

Çap Diameter	Tip Type	Burç No Taper Bush	F mm	L mm
60	1	1108	22	22
70	1	1108	22	22
80	1	1108	22	22
90	1	1108	22	22
100	1	1210	22	25
110	1	1610	22	25
125	1	1610	22	25
140	1	1610	22	25
150	1	1610	22	25
160	1	1610	22	25
170	1	1610	22	25
180	1W	1610	22	25
190	1W	1610	22	25
200	1W	1610	22	25
210	1W	1610	22	25
220	1W	1610	22	25
250	1W	2012	22	31
300	1A	2012	22	31
400	1A	2517	22	45
500	1A	3020	22	51

**PK 8 KANAL / PK 8 GROOVE**

Çap Diameter	Tip Type	Burç No Taper Bush	F mm	L mm
60	2	1108	36	22
70	2	1108	36	22
80	2	1108	36	22
90	2	1210	36	25
100	2	1610	36	25
110	2	1610	36	25
125	2	1610	36	25
140	2	1610	36	25
150	2	1610	36	25
160	2	1610	36	25
170	2	1610	36	25
180	2W	1610	36	25
190	2W	1610	36	25
200	2W	2012	36	31
210	2W	2012	36	31
220	2W	2012	36	31
250	2W	2012	36	31
300	1A	2517	36	45
400	1A	3020	36	45
500	1A	3020	36	51


**BURÇLU POLY-V KAYIŞ KASNAKLARI**  
**POLY-V PULLEYS FOR TAPER BUSHES**
**PK PROFİLLİ BURÇLU POLY-V KASNAKLAR / PK POLY-V PULLEYS FOR TAPER BUSHES**


**PK 12 KANAL / PK 12 GROOVE**

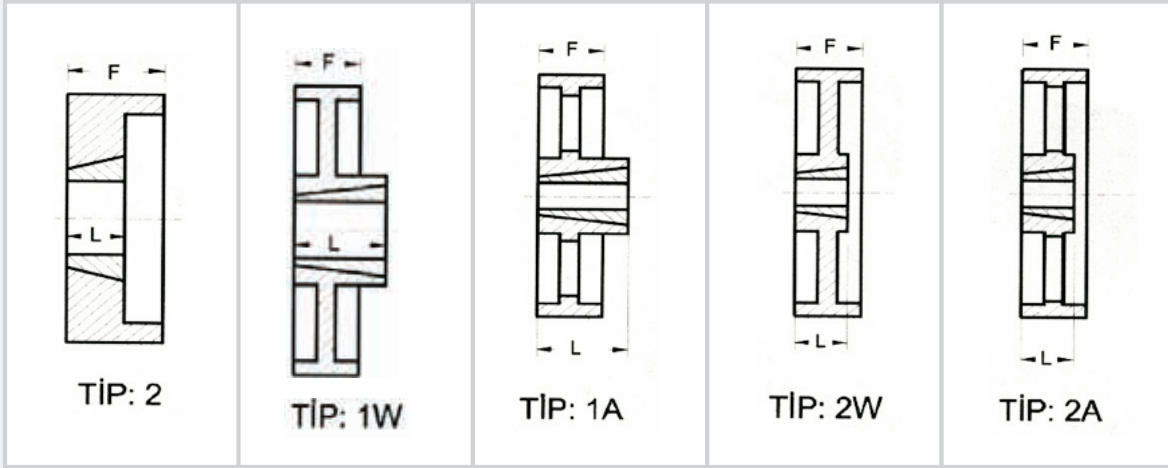
Çap Diameter	Tip Type	Burç No Taper Bush	F mm	L mm
70	2	1108	50	22
80	2	1210	50	22
90	2	1610	50	22
100	2	1610	50	25
110	2	1610	50	25
125	2	1610	50	25
140	2	1610	50	25
150	2	1610	50	25
160	2W	1610	50	25
170	2W	1610	50	25
180	2W	1610	50	25
190	2W	1610	50	25
200	2W	2012	50	31
210	2W	2012	50	31
220	2W	2012	50	31
250	2W	2517	50	45
300	2A	2517	50	45
400	1A	3020	50	51
500	1A	3535	50	90


**PK 16 KANAL / PK 16 GROOVE**

Çap Diameter	Tip Type	Burç No Taper Bush	F mm	L mm
80	2	1210	65	22
90	2	1610	65	25
100	2	1610	65	25
110	2	2012	65	31
125	2	2012	65	31
140	2	2012	65	31
150	2	2012	65	31
160	2	2012	65	31
170	2	2012	65	31
180	2W	2012	65	31
190	2W	2012	65	31
200	2W	2012	65	31
210	2W	2012	65	31
220	2W	2012	65	31
250	2W	2517	65	45
300	2A	2517	65	45
400	2A	3020	65	51
500	1A	3535	65	9

**BURÇLU POLY-V KAYIŞ KASNAKLARI**  
POLY-V PULLEYS FOR TAPER BUSHES

PL PROFİLLİ BURÇLU POLY-V KASNAKLAR / PL POLY-V PULLEYS FOR TAPER BUSHES

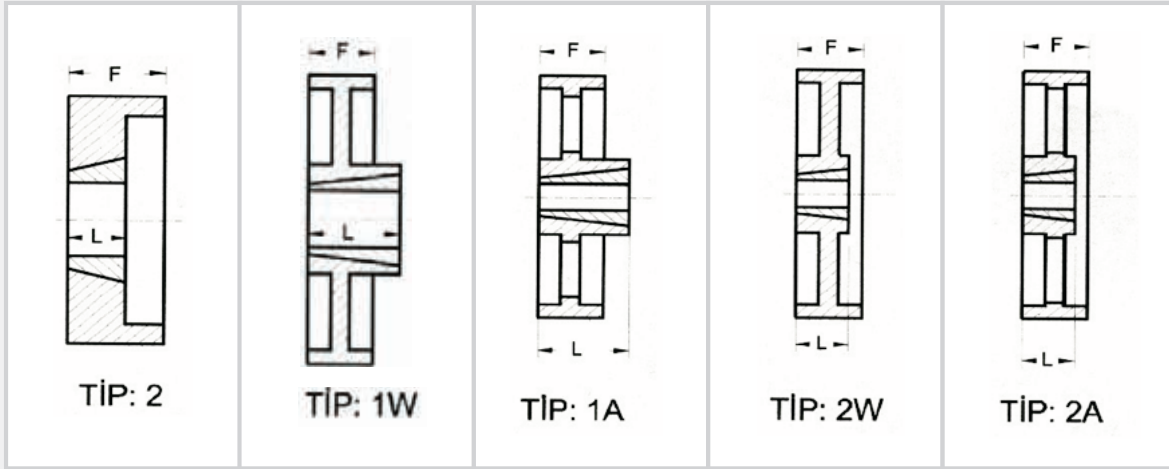


**PL 4 KANAL / PL 4 GROOVE**

Çap Diameter	Tip Type	Burç No Taper Bush	F mm	L mm
60	2	1008	29	22
70	2	1108	29	22
80	2	1108	29	22
90	2	1108	29	22
100	2	1610	29	25
110	2	1610	29	25
125	2	1610	29	25
140	2	1610	29	25
150	2	1610	29	25
160	2	1610	29	25
170	2W	1610	29	25
180	1W	2012	29	31
190	1W	2012	29	31
200	1W	2012	29	31
210	1W	2012	29	31
220	1W	2012	29	31
250	1A	2012	29	31
300	1A	2012	29	31
400	1A	2517	29	45
500	1A	3020	29	51

**PL 8 KANAL / PL 8 GROOVE**

Çap Diameter	Tip Type	Burç No Taper Bush	F mm	L mm
80	2	1108	48	22
90	2	1610	48	25
100	2	1610	48	25
110	2	1610	48	25
125	2	2012	48	31
140	2	2012	48	31
150	2	2012	48	31
160	2	2012	48	31
170	2	2012	48	31
180	2	2012	48	31
190	2W	2012	48	31
200	2W	2012	48	31
210	2W	2012	48	31
220	2W	2012	48	31
250	2W	2012	48	31
300	2A	2517	48	45
400	1A	3020	48	51
500	1A	3020	48	51


**BURÇLU POLY-V KAYIŞ KASNAKLARI**  
**POLY-V PULLEYS FOR TAPER BUSHES**
**PL PROFİLLİ BURÇLU POLY-V KASNAKLAR / PL POLY-V PULLEYS FOR TAPER BUSHES**


**PL 12 KANAL / PL 12 GROOVE**

Çap Diameter	Tip Type	Burç No Taper Bush	F mm	L mm
100	2	1610	66	25
110	2	1610	66	25
125	2	2012	66	31
140	2	2012	66	31
150	2	2517	66	45
160	2	2517	66	45
170	2	2517	66	45
180	2	2517	66	45
190	2	2517	66	45
200	2W	2517	66	45
210	2W	2517	66	45
220	2W	2517	66	45
250	2W	2517	66	45
300	2A	2517	66	45
400	2A	3020	66	51
500	1A	3535	66	90


**PL 16 KANAL / PL 16 GROOVE**

Çap Diameter	Tip Type	Burç No Taper Bush	F mm	L mm
110	2	1615	85	35
125	2	2517	85	45
140	2	2517	85	45
150	2	3020	85	51
160	2	3020	85	51
170	2	3020	85	51
180	2	3020	85	51
190	2	3020	85	51
200	2	3020	85	51
210	2W	3020	85	51
220	2W	3020	85	51
250	2W	3020	85	51
300	1W	3535	85	90
400	1A	3535	85	90
500	1A	3535	85	90